

## Features & Benefits

- For weather exposed areas
- Several different models
- Very efficient during heavy winds and storms
- Custom-made colours available

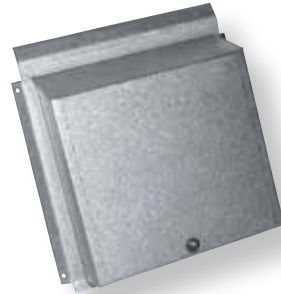
## Fresh weatherproof air inlets

Unique solution which effectively protects against heavy winds and prevents water penetration.

The air is taken in through a pipe which is safely placed under the cover, this gives an efficient separation of water and it also redirects the wind. All models have removable covers which gives easy access to the channel.

The range contains models in both UV-resistant ABS plastic and sheet metal.

There is also a model for mounting over an existing grille. This model is recommended for areas with water penetration-problems.



## Specification

Product	Description	Art no bulk
Fresh Storm cover #140 (adapt. Ø81)	Rain & storm protected air inlet, galvanised sheet metal, white	663018
Fresh Storm cover #140 (adapt. Ø98)	Rain & storm protected air inlet, galvanised sheet metal, white	663020
Fresh Rain cover	Cover for mounting over existing Fresh grilles. Unvarnished.	000109
Fresh Rain cover	Cover for mounting over existing Fresh grilles. Powder coated white NCS S0502-Y.	000110

# Weatherproof grilles

## Accessories

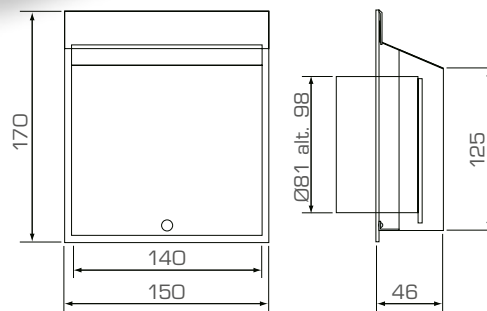
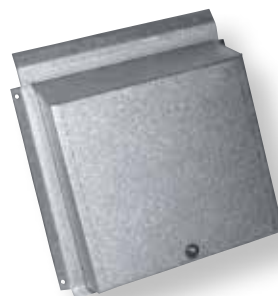
### Fresh Storm cover

A weatherproof grille intended for outdoor mounting. This unique construction effectively prevents rain water from entering the vent and it also dampens the effect of strong winds/storms. The cover also protects against noise. The adapter is available in both  $\varnothing 81$  and  $\varnothing 98$  mm. There are two different screw-setting alternatives available.

Material: Sheet metal, aluzinc

Colour: Aluzinc or powder coated white NCS S0502-Y

Manage 8 l/s at 10 Pa with most vents.



### Fresh Rain cover

Protecting cover for mounting over an existing grille (square models). It is mainly designed for areas with water-penetration-problems. The cover also protects against noise. Screw mounting.

Material: Sheet metal, aluzinc

Colour: Aluzinc or powder coated white NCS S0502-Y.

Manage 8 l/s at 10 Pa with most vents.

