

Features & Benefits

- Low noise level
- Low-speed & acceleration functions
- Integrated safety switch
- Energy efficient, 2,1 - 5,5 W
- Built-in thermostat can be calibrated & speed control



Intellivent® Celsius™

Ventilation fan designed to transfer excess heat from one room to other parts of the home. Usually mounted in an interior wall, but can also be ceiling-mounted. Can be installed in both 100 & 125 ducts, with adapters for both dimensions being included.

Intellivent® Celsius™ offers a number of functions and installation options. Built-in electronic thermostat, two separately adjustable speeds and pause function. Connect an extra switch cable and the fan will also be able to speed up. All settings are entered via a clearly arranged control panel.

Intellivent® Celsius™ has a built-in multi-pole breaker and can be cleaned for easy maintenance. The motor is a low-energy unit fitted with double ball bearings for a long service life.

Front covers in a variety of colours are available as accessories for Intellivent® Celsius™.

Technical data

Maximum capacity	134 m ³ /h
Sound pressure level 3m (85 m ³ /h)	21 dB(A)
Power consumption	2,1 - 5,5 W
Wall mounting dimensions	0-30 mm
Holes	105-130 mm
100-240 V, 50-60 Hz	
IP44	

Specification

Designation	Description	Art. no.
Intellivent® Celsius™	Wall fan in white	197216

Accessories

Designation	Description	Art. no.
Intellivent® Front cover Silver	Front cover silver for heat transporter Intellivent® Celsius™.	197222
Intellivent® Front cover Titanium	Front cover titanium for heat transporter Intellivent® Celsius™.	197224
Intellivent® Front cover Red	Front cover red for heat transporter Intellivent® Celsius™.	197226
Intellivent® Front cover Champagne	Front cover champagne for heat transporter Intellivent® Celsius™.	197228
Intellivent® Front cover White	Front cover white for heat transporter Intellivent® Celsius™.	197218
Intellivent® Front cover Black	Front cover black for heat transporter Intellivent® Celsius™.	197220
Fresh Cover plate White	Cover plate white 242 x 190 for heat transporter Intellivent® Celsius™.	197236
Fresh Cover plate Black	Cover plate black 242 x 190 for heat transporter Intellivent® Celsius™.	197238
Intellivent® Celsius G100	Mounting kit (pipe Ø98/102 mm, L=112mm, roundgrille Ø98/140)	135114

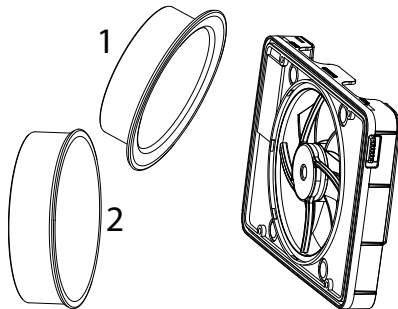
INTELLIVENT® CELSIUS™

Heat transporter

Description

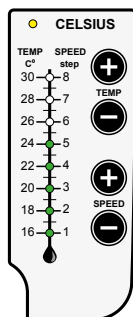
Intellivent® Celsius™ can be installed in both 100 & 125 ducts, with adapters for both dimensions being included. The fan can also be installed over a narrower duct, without an adapter. The fan is fitted with a built-in multi-pole breaker. This makes installation simpler and more cost-efficient, as an external breaker is no longer required.

Intellivent® Celsius™ has a motor that uses only 2,1 - 5,5 Watt, which makes it a particularly energy-efficient product. For ease of maintenance the motor is hinge-mounted and can be opened outwards to provide access to the duct and the rear of the blades.



Functions

Intellivent® Celsius™ has a number of functions and can be connected in slightly different ways depending on the functions required. Other settings are easily entered using the control panel. The fan also features LED lamps indicating functions which are currently in operation.



Thermostat

The thermostat starts the fan when the temperature exceeds the preset value. The fan can easily be adjusted to start between 16 and 30 °C. The start value is set using the plus and minus keys (TEMP) on the control panel. The start value is indicated by the LED lamps on the thermometer scale.

RPM settings

The fan speed can be set to anything from 50 % up to maximum speed. The plus and minus keys (SPEED) on the control panel are used to set the preferred speed. The speed is indicated by a column of LED lamps labelled with a scale from 1 to 8.

Constant operation

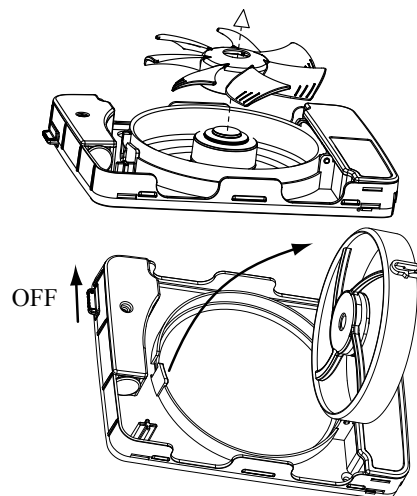
Intellivent® Celsius™ also includes a function for constant operation. This means that the fan runs continuously at a specific preferred speed. If the thermostat is activated, the fan switches to the preset speed for the heat transfer function. This means that the fan can operate at two individual speeds at constant operation or thermostat operation if desired.

Pause function

The pause function means that the fan stops (whichever mode it is in) and remains inactive for one hour. The pause function is activated by pulling the power cord; after one hour the fan resumes operation. The pause function can be cancelled by pulling the cord a second time.

Maintenance

The fan is easy to clean due to its "swing-out" function allowing easy access to the duct. Switch off the fan using the multi-pole breaker and then press the motor mount ring's quick-release catch and swing out the motor/blades. Clean the duct/pipe if there is any dirt present inside.



Connection

Intellivent® Celsius™ can be installed in two ways, depending on preferred function, as described below:

Normal connection, diagram 1

The fan is connected using constant phase (L) and neutral (N).

Acceleration with external switch, diagram 2

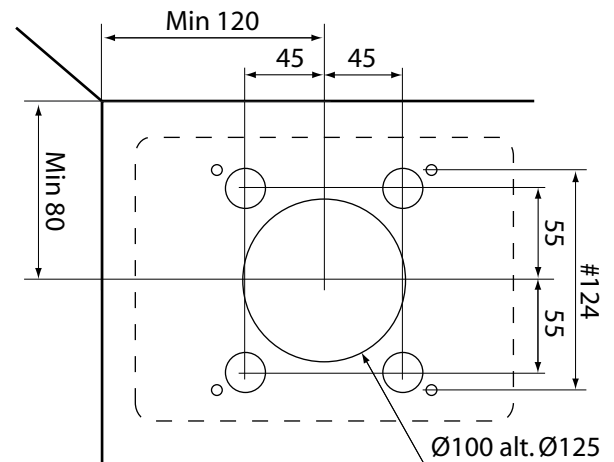
The fan is connected using constant phase (L) and neutral (N).

The ignition wire from the lighting is connected to the terminal block marked SL.

NB! The same group (phase) as for L; otherwise there is a risk of ending up with 400 V between L and SL.

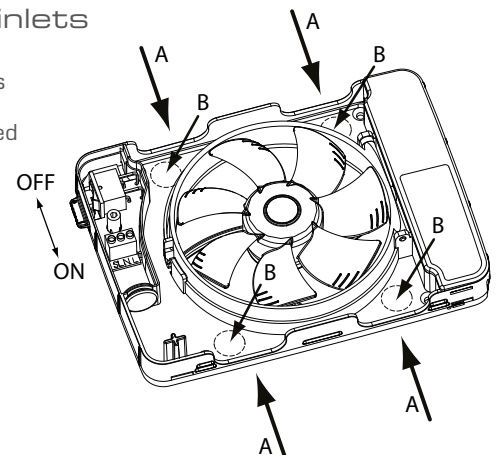
When SL is supplied with power, the fan accelerates to maximum speed and remains at this speed for as long as SL is supplied with power.

Mounting dimensions

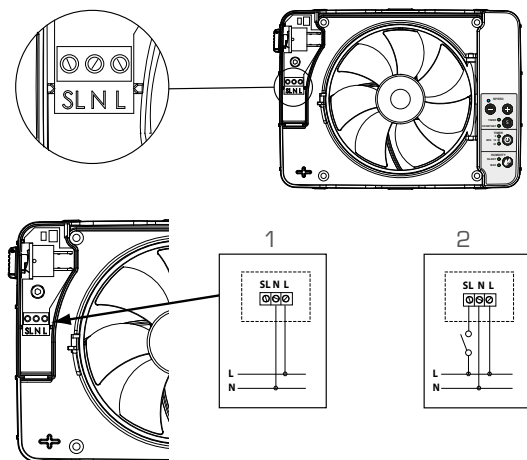


Cable inlets

Cable inlets
A=exterior
B=concealed



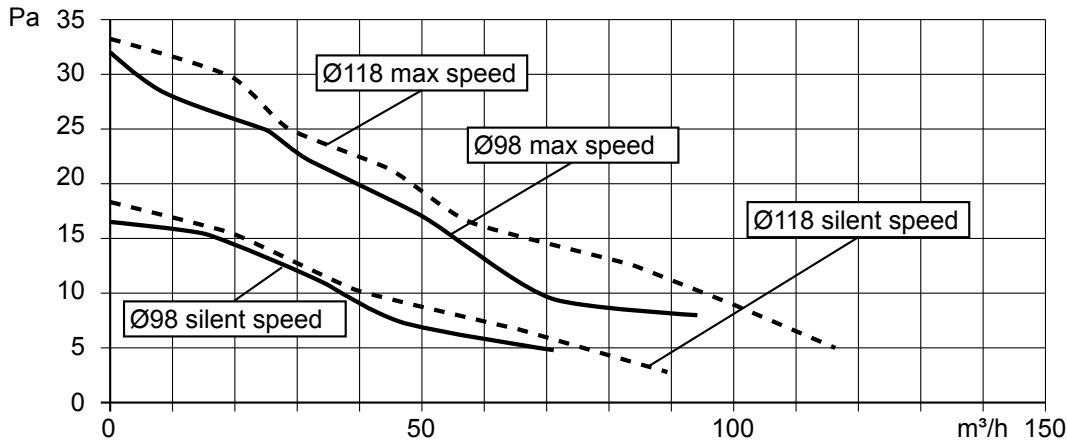
Wiring diagram



INTELLIVENT® CELSIUS™

Heat transporter

Capacity



Technical facts

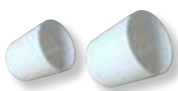
Maximum capacity	134 m³/h
Sound pressure level 3 m (Silent mode)	21 dB(A)
Power consumption	2,1 - 5,5 W
Mounting dimensions in wall	0-30mm
Holes	105-130mm
Material	ABS plastic
Protection rating	IP44
Insulation class	□
Voltage	100-240 V
Frequency	50-60 Hz
Certificates	☉ CE
Maximum ambient temperature	50 °C

Sound data

Duct diameter	Speed steps 1-8	Capacity, free blowing (m³/h)	Sound pressure level 3m (dB A)
Ø 100	1	32	10
Ø 100	2	41	12
Ø 100	3	49	14
Ø 100	4	61	18
Ø 100	5	70	21
Ø 100	6	77	23
Ø 100	7	85	25
Ø 100	8	105	28
Ø 125	1	41	11
Ø 125	2	55	13
Ø 125	3	64	14.5
Ø 125	4	79	18
Ø 125	5	89	21
Ø 125	6	98	24
Ø 125	7	108	27
Ø 125	8	134	29

Accessories

There are a number of accessories available for Fresh Intellivent Celsius to help you, as a user, install the product as smoothly as possible. Below are some examples of accessories.



Pipe for sizes 100 and 125



Cover plate 190 x 240 mm white and black



Plastic grille for sizes 100 and 125



Metal grille for sizes 100 and 125



Cold surge protection 100 and 125